

MP2 SUMMER PH

PERISTALTIC PUMP WITH PH CONTROLLER ON BOARD

DESCRIPTION

- Peristaltic pump with built in PH controller
- Easy Set Point programming between 7,2 and 7,4 PH interval
- Semi automatic calibration with buffer 7,00 PH
- Proportional dosing according to Set Point
- ON / OFF function
- Reinforced PP body
- Polycarbonate front panel
- IP 55 Protection Degree
- Standard 230 Vac Power Supply
- 100 % Made in Italy
- CE approved

OPTIONAL

- SCHUKO plug
- ON / OFF switch
- Level probe predisposition



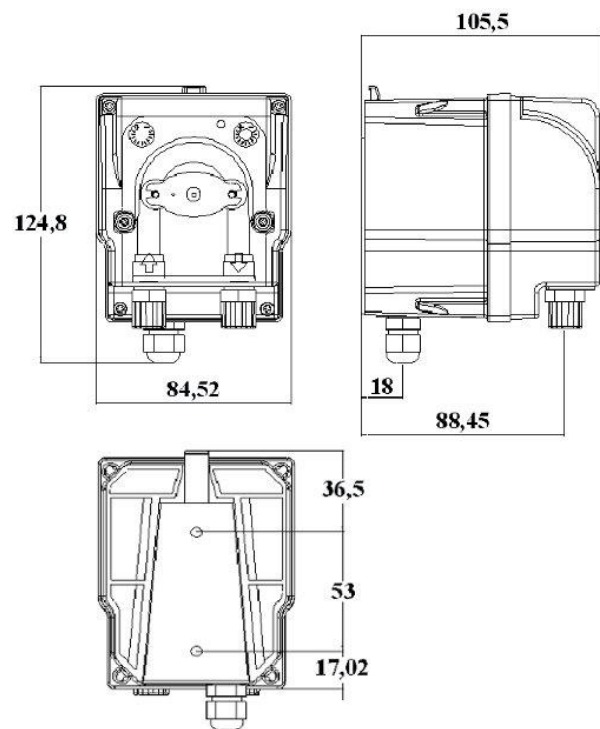
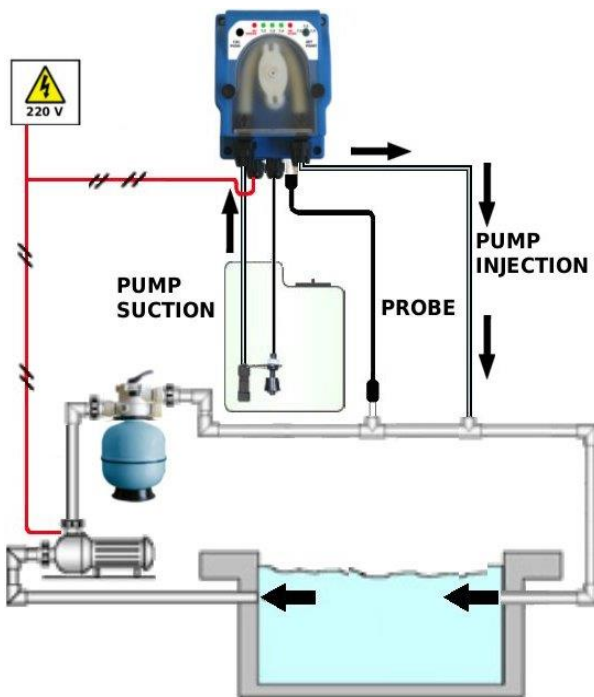
TECHNICAL SPECIFICATIONS

Standard	Max l/h	Pressure		Max cc / min	Santoprene tube	Box	Power [Watt]	RPM	Weight	
		Bar	PSI						kg.	Lbs
01-01	01	01	14,7	16,67	5,8 x 9,3	PP	35	10	0,5	1,2

MP2 SUMMER PH

PERISTALTIC PUMP WITH PH CONTROLLER ON BOARD

PUM VIEW (MM)



ACCESSORIES

STANDARD KIT				INSTALLATION KIT SOLD SEPARATELY			
INJECTION VALVE 1/2" PP-VL-VT	PP FOOT FILTER	2mt PE 4x6 DELIVERY TUBE	2mt PVC 4x6 SUCTION TUBE	PH electrode 3 mt. Cable epoxy body	PH 7,00 buffer solutions	Nr. 2 saddle clamps d.50 att. 1/2"	Probe holder 1/2" PP
