

# MP2 REDOX

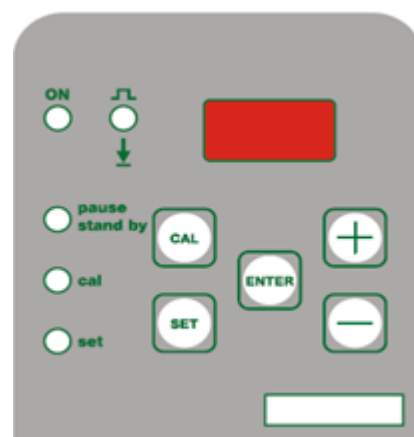
## PERISTALTIC PUMP WITH REDOX/ORP CONTROLLER ON BOARD

### DESCRIPTION

- Digital peristaltic pump with proportional dosing
- Built in REDOX / ORP controller
- REDOX values in the pool showed in real time
- Semi-automatic calibration with buffer 468 mV
- Set Point programmable on the whole 0..999 mV REDOX range
- Easy to install and minimum mantainance required
- Reinforced PP body
- Polycarbonate front panel
- Digital display with stand-by key e 5 status led
- IP 55 Protection degree
- Standard Power Supply 230 Vac
- 100 % Made in Italy
- CE approved

### OPTIONAL

- SCHUKO plug
- ON / OFF switch
- Overdose alarm to avoid chemical surplus inside the pool
- Level probe input (it will replace Overdose alarm)



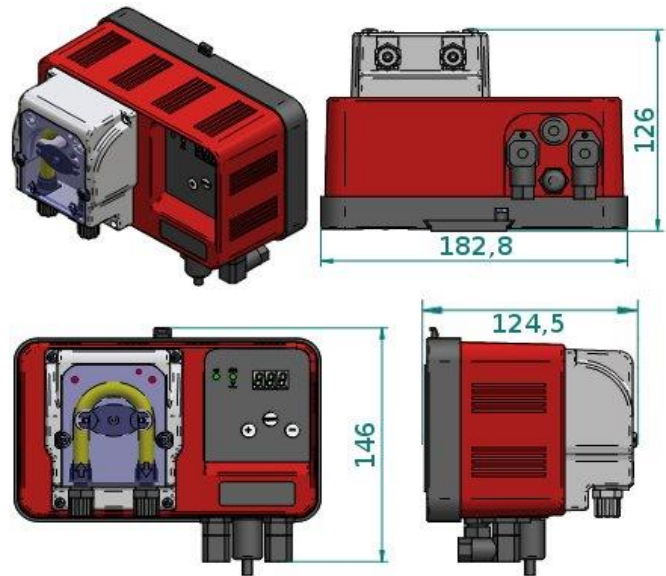
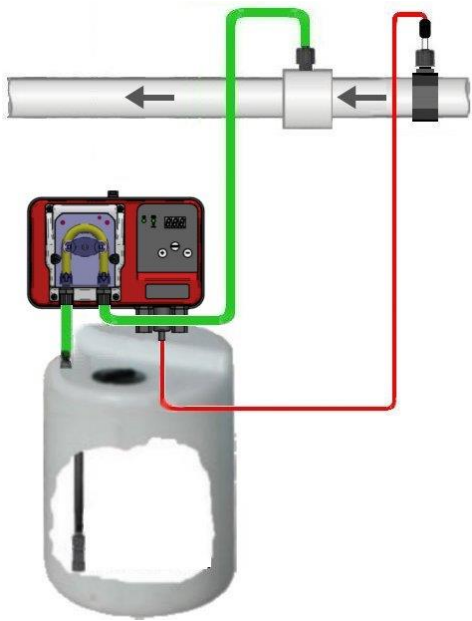
### TECHNICAL SPECIFICATIONS

Standard	Max l/h	Pressure		Max cc / min	Santoprene Tube	Box	Power [Watt]	RPM	Weight	
		Bar	PSI						kg.	Lbs
04-01	4	01	14,7	66,7	5,8 x 9,4	PP	35	30	1,0	2,4

# MP2 REDOX

## PERISTALTIC PUMP WITH REDOX/ORP CONTROLLER ON BOARD

### PUM VIEW (MM)



### KIT ACCESSORI

KIT ACCESSORI				
STANDARD KIT	PP Injection valve	PP Foot filter with injection valve	2mt PE 4x6 Delivery tube	2mt PVC 4x6 Suction tube
				
INSTALLATION KIT SOLD SEPARATELY	REDOX probe 5 mt. cable epoxy body	Buffer Solutions 468 mV	Nr. 2 saddle clamps d.50 att. 1/2"	1/2" PP probe holder
				