

# MP1

## COMPACT PERISTALTIC PUMP WITH FIXED FLOW

### DESCRIPTION

- Panel mounting peristaltic pump with fixed flow rate
- Small size
- Easy to install and minimum maintainance required
- Reinforced PP
- Automatic priming
- Polycarbonate front panel
- PBT Roller holder
- DELRIN self-lubricating roller
- Standard Power Supply 24 Vdc / 230 Vac
- Supplied without installation kit

### OPTIONAL

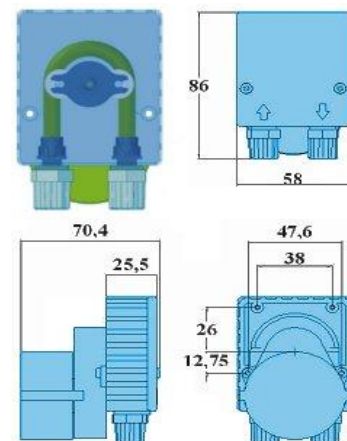
- Screws with plastic handle
- Customized front panel
- Additional flow rate upon request
- Additional Power Supply upon request

### APPLICATIONS

- Chemical industry
- Medical industry
- Laboratories and analysis
- Cleaning
- Pools



### PUMP VIEW (MM)



### TECHNICAL DATA

MODEL	l/h	ml/min	Pressure [Bar]	RPM	Power [Watt]	Power Supply	Tube	Dim.	Weight
MP1 0,6-01	0,6	9	1	10	8	230 Vac	4 X 7	12x18x12	0,35
MP1 1,2-01	1,2	19	1	20	8	230 Vac	4 X 7	12x18x12	0,35
MP1 1,8-01	1,8	28	1	30	8	230 Vac	4 X 7	12x18x12	0,35
MP1 2,4-01	2,4	40	1	40	8	230 Vac	4 X 7	12x18x12	0,35
MP1 2,4-01	2,4	40	1	40	8	24 Vdc	4 X 7	12x18x12	0,35

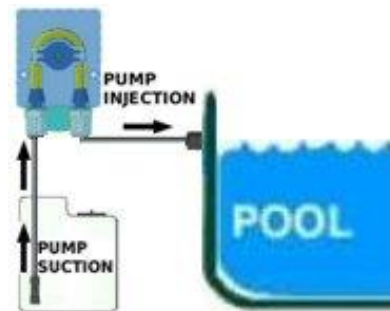
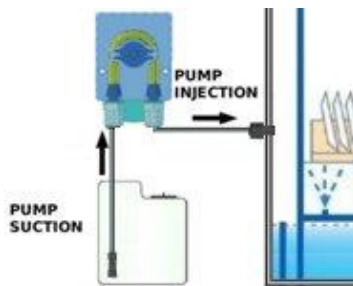


# MP1



## COMPACT PERISTALTIC PUMP WITH FIXED FLOW

### INSTALLATION EXAMPLES



Dosita S.r.l.

[www.dosita.com](http://www.dosita.com) - [info@dosita.com](mailto:info@dosita.com)

e-shop: [www.trattamento-acque.net](http://www.trattamento-acque.net) - [info@trattamento-acque.net](mailto:info@trattamento-acque.net)