

DOUBLE SYSTEM MP DUAL PH – REDOX

DESCRIPTION

- Double system with built in PH /REDOX and Temperature C° controller
- Flow rate showed in percentage
- 3 different functioning mode: constant, ON / OFF, proportional
- Menu available in 4 languages: ITALIAN, ENGLISH, FRANCE, SPANISH
- Password protected
- Startup delay
- Time overdose alarm (TAL System)
- Alarm relay (free contacts)
- Default parameter restore option
- PH Stability mode (programmable)
- STAND BY mode
- Over / under range signal
- Backlit LCD Display
- Box in PP reinforced
- IP 65
- Power Supply 230vac 50-60 Hz



OPTIONAL

- Level probe input
- Flow sensor input
- ON / OFF switch

TECH SPECIFICATIONS

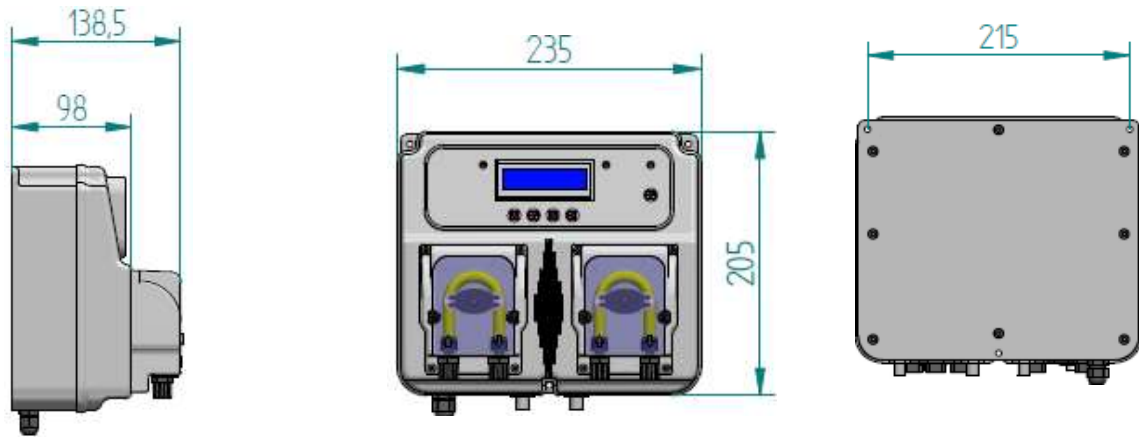
Standard	Flow rate		Pressure		Hose Material	Hose dimensions [mm]	RPM
	[l/h]	[cc/min]	[Bar]	[PSI]			
pH Pump	1,5	25	1	14,5	Santoprene	5,8 x 9,3	10
Chlorine pump	3	50	1	14,5	Santoprene	5,8 x 9,3	20
	6	100	1	14,5	Santoprene	5,8 x 9,3	40

LOW FLOW RATE – SPECIAL FOR SPA APPLICATIONS

Ph Pump	0,1	1,67	1	14,5	Santoprene	5,8 x 9,3	1
Chlorine Pump	0,2	3,33	1	14,5	Santoprene	5,8 x 9,3	2

DOUBLE SYSTEM MP DUAL PH – REDOX

DIMENSIONI E INGOMBRI (MM)



ACCESSORIES KIT

	Injection valve PP VL VITON	Foot filter PP VL VT	Delivery tube 2mt PE 4x6	Suction tube 2mt PVC 4x6
STANDARD KIT				