

## ME3 - mA

## SOLENOID PUMP

### ME3 - mA

#### DESCRIPTION

- Digital dosing pump with proportional flow rate according to 0/4-20 mA signal
- 2 different working mode: constant or proportional
- 4 different languages menu: Italian, French, Spanish and English
- Built-in Overdose alarm
- Starting time delay setting
- Backlit digital 8x2 display
- Status and programming led
- IP 65 Protection Degree
- Reinforced PP body
- Instant flow rate showed in %
- 100% Made in Italy
- CE approved
- Standard Power Supply 230 Vac
- ON/OFF switch
- PVDF pump head with PTFE seals (suitable to dose High Concentration Sodium Hypochlorite or strong Oxidizing agents)

#### OPTIONAL

- Level probe input



# ME3 - mA

## SOLENOID PUMP

### ME3 - mA

DESCRIPTION		
	Standard Material	Upon Request
<b>Standard Version</b>		
Pump Head	PVDF 1/2" fitting	PP 1/2" fitting
<b>High Flow rate model</b>		
Pump Head	PVDF 1/2" fitting	PP 1/2" fitting
<b>High Pressure model</b>		
Pump Head	PVDF 1/2" fitting	PP 1/2" fitting
Balls	Pyrex	Ceramic, PTFE, AISI 316
Diaphragm	PTFE	-----
Fittings	PP	PVDF
Seals	Viton <sup>®</sup>	EPDM
Valve body	PP 4 x 6	PVDF 4 x 6
Foot filter	PP 4 x 6 lip valve	PVDF 4 x 6 ball valve
Injection valve	PP4 x 6 ball valve	PVDF 4x6 ball valve
Suction tube	PVC 4 x 6	PVDF 4 x 6
Delivery tube	PE 4 x 6	PVDF 4 x 6

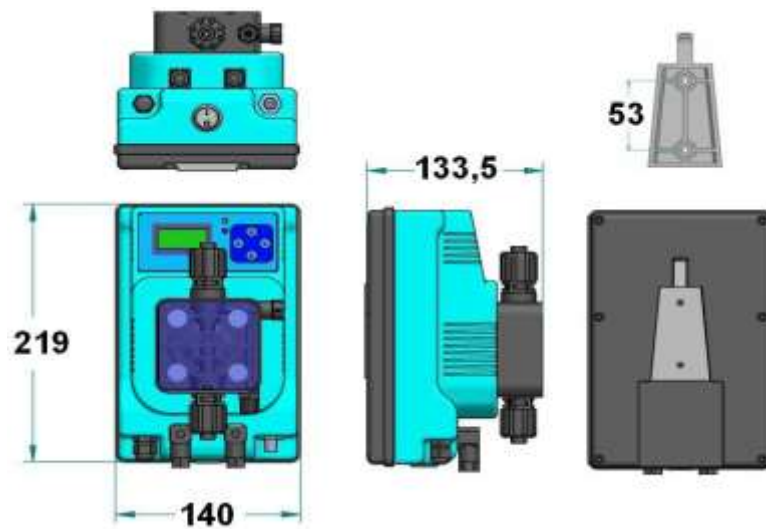
TECHNICAL SPECIFICATIONS											
	Max l/h	Pressure		Max cc / imp	Stroke	Solenoid	Pump Head	Power [Watt]	Pulses	Weight	
		Bar	PSI							kg.	Lbs
<b>Standard</b>											
10-02	10	02	29,4	1,11	1,3	Ø 80	PP	60	150	3,5	7,7
05-10	05	10	145	0,55	1,1	Ø 80	PP	60	150	3,5	7,7
04-12	04	12	176	0,44	0,9	Ø 80	PP	60	150	3,5	7,7
<b>High Flow rate</b>											
24-01	24	01	15	3,34	2,2	Ø 90	PVDF	60	150	4,0	8,8
22-02	22	02	29	2,89	2,2	Ø 90	PVDF	60	150	4,0	8,8
<b>High Pressure</b>											
06-15	03	15	218	0,33	1,3	Ø 80	PVDF	60	150	3,5	7,7
04-18	02	18	261	0,22	1,0	Ø 80	PVDF	60	150	3,5	7,7

**ME3 - mA**

**SOLENOID PUMP**

**ME3 - mA**

**DIMENSIONS (MM)**



**ACCESSORIES KIT**

	Injection valve	PP Foot filter with lip valve	2mt PE 4x6 Delivery tube	2mt PVC 4x6 Suction tube	1,5mt PVC 4x6 Bleed tube
<b>STANDARD KIT</b>					