

SOLENOID PUMP ME3-PH REDOX

DESCRIPTION

- Solenoid dosing pump with built in PH/REDOX controller
- 3 different working mode: constant, ON/OFF, proportional
- 4 different languages menu: Italian, French, Spanish and English
- Built-in Overdose alarm
- Backlit digital display 8x2
- Flow sensor control
- Reinforced PP body
- Instant flow rate % visualization
- 100% Made in Italy
- CE approved
- IP65 Protection Degree
- Standard Power Supply 230 Vac
- ON/OFF switch
- PVDF pump head with PTFE seals (suitable to dose High Concentration Sodium Hypochlorite or strong Oxidizing agents)

OPTIONAL

- Level probe input
- Flow alarm sensor





**ME3-PH
REDOX**



SOLENOID PUMP

ME3-PH REDOX

DESCRIPTION		
	Standard Material	Upon Request
Standard Version		
Pump head	PP fittings 1/2"	PVDF fittings 1/2"
High Flow Rate Version		
Pump head	PVDF fittings 1/2"	PP fittings 1/2"
High Pressure Version		
Pump head	PVDF fittings 1/2"	PP fittings 1/2"
Balls	Pyrex	Ceramic, PTFE, AISI 316
Diaphragm	PTFE	-----
Fittings	PP	PVDF
Seals	Viton [®]	EPDM
Valve Body	PP 4 x 6	PVDF 4 x 6
Foot Filter	PP 4 x 6 lip valve	PVDF 4 x 6 ball valve
Injection Valve	PP 4 x 6 ball valve	PVDF attacchi 4x6 ball valve
Suction Tube	PVC 4 x 6	PVDF 4 x 6
Delivery Tube	PE 4 x 6	PVDF 4 x 6

SPECIFICATIONS											
	Max l/h	Pressure		Max cc / imp	Stroke	Solenoid	Pump Head	Power [Watt]	Pulses	Weight	
		Bar	PSI							kg.	Lbs
Standard											
10-02	10	02	29,4	1,11	1,3	Ø 80	PP	60	150	3,5	7,7
05-10	05	10	145	0,55	1,1	Ø 80	PP	60	150	3,5	7,7
04-12	04	12	176	0,44	0,9	Ø 80	PP	60	150	3,5	7,7
High Flow Rate											
24-01	24	01	15	3,34	2,2	Ø 90	PVDF	60	150	4,0	8,8
22-02	22	02	29	2,89	2,2	Ø 90	PVDF	60	150	4,0	8,8
High Pressure											
03-15	03	15	218	0,67	1,3	Ø 80	PVDF	60	150	3,5	7,7
02-18	02	18	261	0,44	1,0	Ø 80	PVDF	60	150	3,5	7,7

Dosita S.r.l.

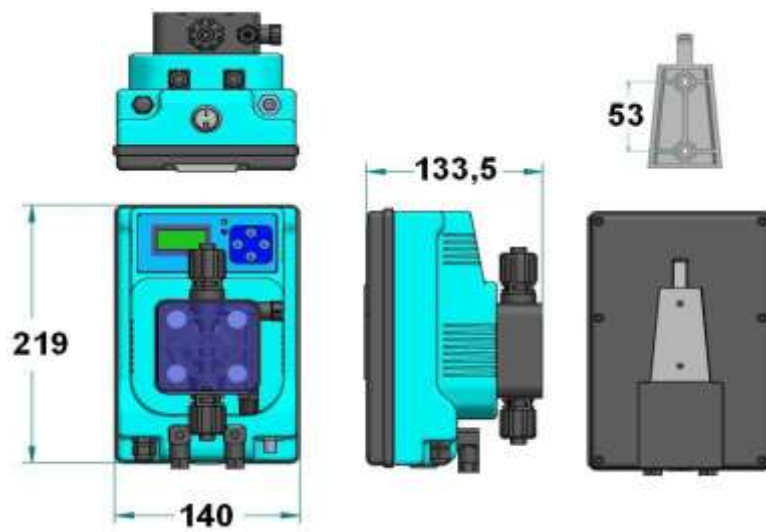
www.dosita.com - info@dosita.com

e-shop: www.trattamento-acque.net - info@trattamento-acque.net

ME3-PH REDOX

SOLENOID PUMP ME3-PH REDOX

DIMENSIONS (MM)



ACCESSORIES KIT

	Injection Valve	PP Foot filter with lip valve	Delivery tube 2mt PE 4x6	Suction tube 2 mt PVC 4x6	Bleed tube 1,5mt PVC 4x6
STANDARD KIT					