

ME1 - REDOX

SOLENOID PUMP

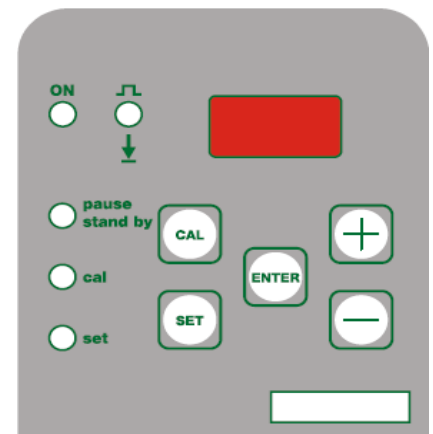
ME1 - REDOX

DESCRIPTION

- Digital proportional dosing pump with built in REDOX controller
- Automatic recognition of REDOX probe efficiency
- Programmable on the entire REDOX range 0-999 mV
- Reinforced PP body
- Polycarbonate front panel
- Digital display with Stand by key and 5 status led
- Pump head with Manual bleed
- IP 65 Protection Degree
- Standard Power Supply 230 Vac
- 100% Made in Italy
- CE approved

OPTIONAL

- PVDF pump head with PTFE seals (suitable to dose High Concentration Sodium Hypochlorite or strong Oxidizing agents)
- Level probe input
- SCHUKO plug
- ON / OFF switch
- Built in overdose alarm to avoid chemical surplus in the pool
- Level probe input (it will replace overdose alarm output)



ME1 - REDOX

SOLENOID PUMP

ME1 - REDOX

DESCRIPTION		
	Standard Material	Upon request
Standard Version		
Pump Head	PP 1/2" fitting	PVDF 1/2" fitting
Balls	Pyrex	Ceramic, PTFE, AISI 316
Diaphragm	PTFE	-----
Fittings	PP	PVDF
Seals	Viton [®]	EPDM Gaskets
Valve Body	PP 4 x 6	PVDF 4 x 6
Foot Filter	PP 4 x 6 lip valve	PVDF 4 x 6 ball valve
Injection Valve	PP 4 x 6 ball valve	PVDF 4x6 ball valve
Suction Tube	PVC 4 x 6	PVDF
Delivery tube	PE 4 x 6	PVDF

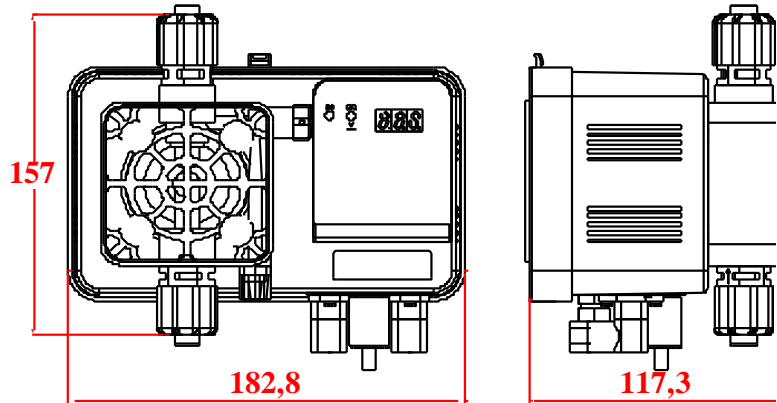
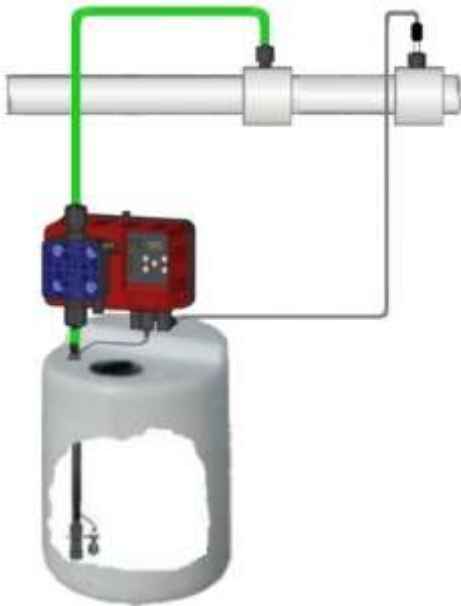
TECHNICAL SPECIFICATIONS											
Standard	Max l/h	Pressure		Max cc / imp	Stroke	Solenoïd	Pump Head	Power [Watt]	Pulses	Weight	
		Bar	PSI							kg.	Lbs
1,5-12	1,5	12	176	0,14	0,9	Ø 80	PP	50	180	3,5	6,7
02-11	02	11	162	0,18	0,9	Ø 80	PP	50	180	3,5	6,7
04-09	04	09	132	0,37	0,9	Ø 80	PP	50	180	3,5	6,7
05-08	05	08	117	0,46	1,1	Ø 80	PP	50	180	3,5	6,7
07-05	07	05	73,5	0,65	1,1	Ø 80	PP	50	180	3,5	6,7
08-04	08	04	59	0,74	1,3	Ø 80	PP	50	180	3,5	6,7
10-02	10	02	29	0,92	1,3	Ø 80	PP	50	180	3,5	6,7
15-0,5	15	0,5	7,35	1,39	1,3	Ø 80	PP	50	180	3,5	6,7

ME1 - REDOX

SOLENOID PUMP

ME1 - REDOX

DIMENSIONS (MM)



STANDARD KIT					
	Injection Valve	PP Foot Filter with lip valve	Delivery tube 2mt PE 4x6	2mt PVC 4x6 Suction tube	1,5mt PVC 4x6 Bleed tube
STANDARD KIT	