

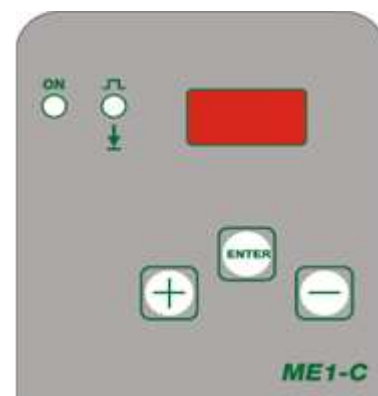
DIGITAL SOLENOID PUMP WITH ADJUSTABLE FLOW RATE

DESCRIPTION

- Digital solenoid pump with adjustable flow rate
- Easy to install and minimum maintenance required
- Adjustable frequency from 0 to 180 pulses/minute via keyboard
- ON / OFF function
- Reinforced PP body
- Polycarbonate front panel
- Digital display with Stand by key and 5 status led
- Pump head with Manual bleed
- IP 65 Protection Degree
- Standard Power Supply 230 Vac
- 100% Made in Italy
- CE approved

OPTIONAL

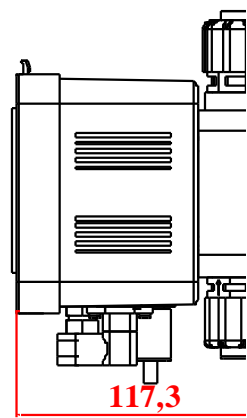
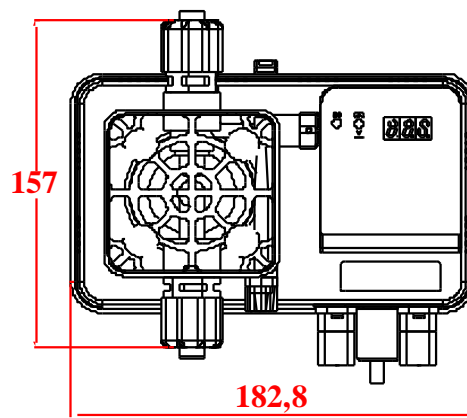
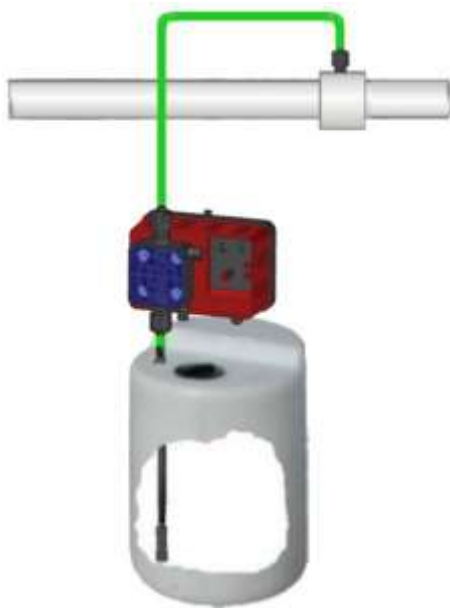
- PVDF pump head with PTFE seals (suitable to dose High Concentration Sodium Hypochlorite or strong Oxidizing agents)
- Level probe input
- SCHUKO plug
- ON / OFF switch



TECHNICAL SPECIFICATIONS

Standard	Max l/h	Pressure		Max cc / imp	Stroke	Solenoid	Pump Head	Power [Watt]	Pulses	Weight	
		Bar	PSI							kg.	Lbs
1,5-12	1,5	12	176	0,14	0,9	Ø 80	PP	50	180	3,5	6,7
02-11	02	11	162	0,18	0,9	Ø 80	PP	50	180	3,5	6,7
04-09	04	09	132	0,37	0,9	Ø 80	PP	50	180	3,5	6,7
05-08	05	08	117	0,46	1,1	Ø 80	PP	50	180	3,5	6,7
07-05	07	05	73,5	0,65	1,1	Ø 80	PP	50	180	3,5	6,7
08-04	08	04	59	0,74	1,3	Ø 80	PP	50	180	3,5	6,7
10-02	10	02	29	0,92	1,3	Ø 80	PP	50	180	3,5	6,7
15-0,5	15	0,5	7,35	1,39	1,3	Ø 80	PP	50	180	3,5	6,7

PUMP VIEW (MM)



ACCESSORIES KIT

ACCESSORIES KIT					
STANDARD KIT	Injection Valve	PP Foot filter with lip valve	Delivery tube 2mt PE 4x6	2mt PVC 4x6 Suction tube	1,5mt PVC 4x6 Bleed tube
					